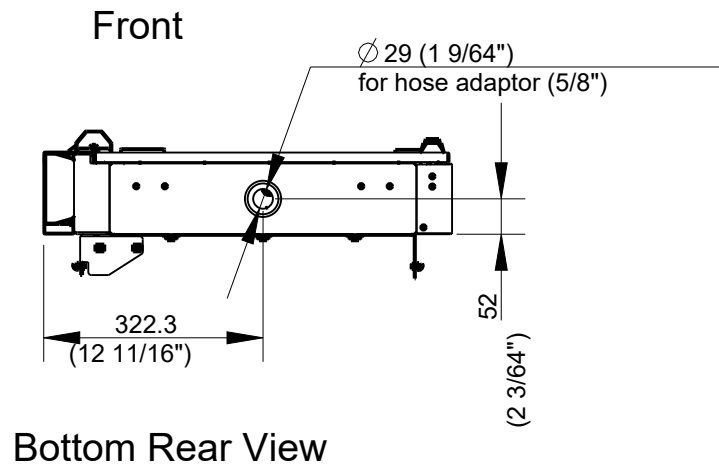
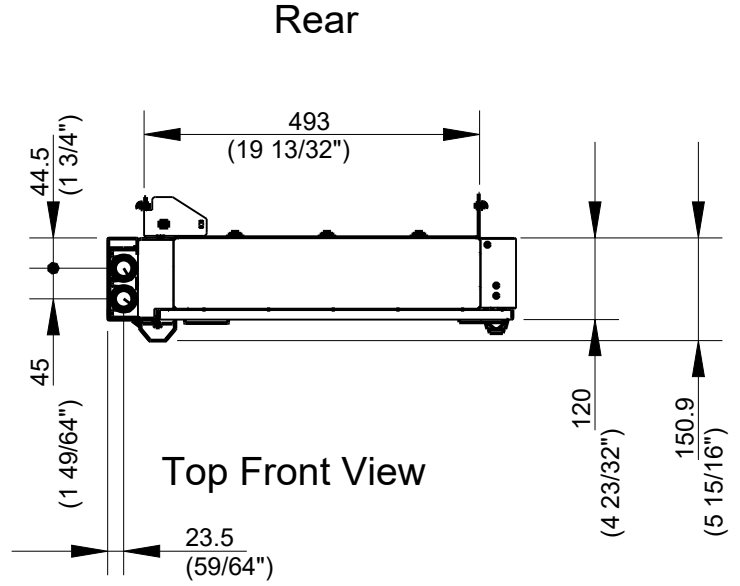
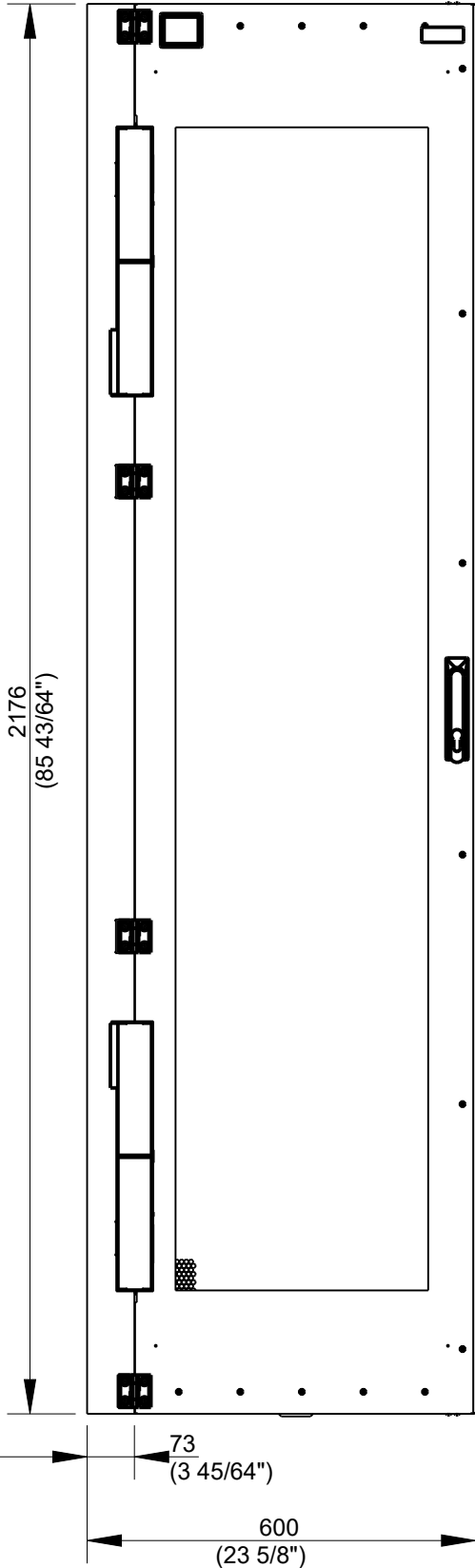




DIMENSIONAL DATA
REAR RACK COOLER DCD35 PASSIVE



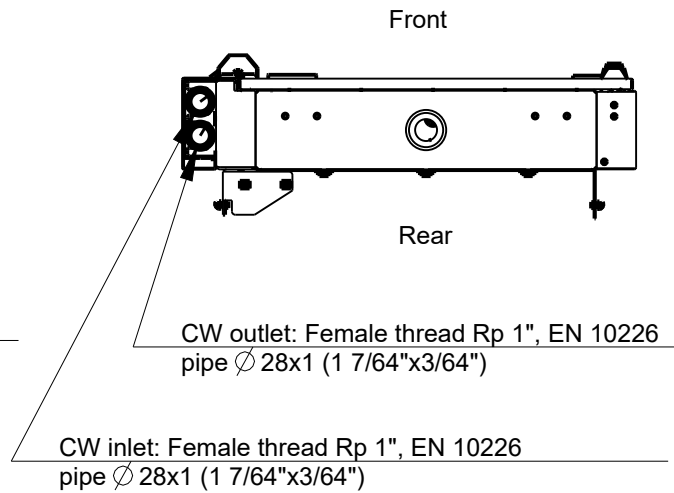
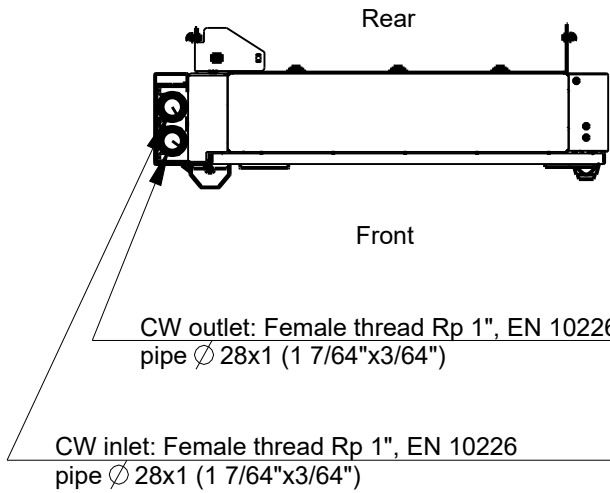
Dry net weight +/- 5% kg (lb), without rack: ~ 73 kg / ~ 160 lb
Heat exchanger fluid volume is approximately 12 liters (3.17 US Gal)



WATER SUPPLY CONNECTION DATA
REAR RACK COOLER DCD35 PASSIVE

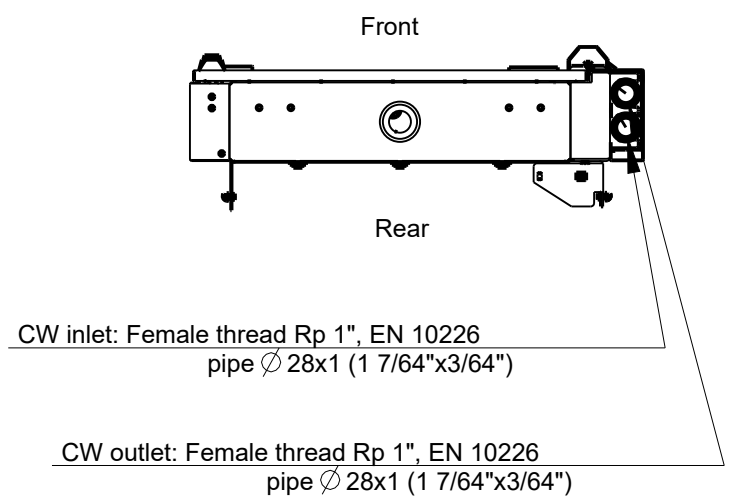
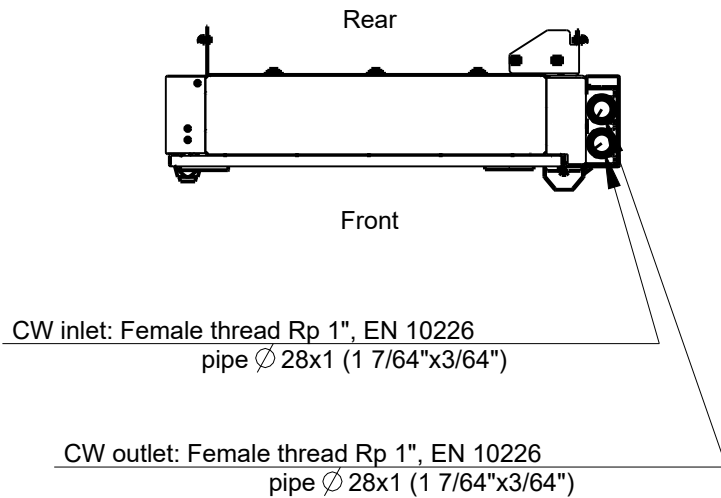
08.014.608.X
Hinges - left
Watter supply - top
Top View

08.014.609
Hinges - left
Watter supply - bottom
Bottom view



08.014.610.X
Hinges - right
Watter supply - top
Top View

08.014.611.X
Hinges - right
Watter supply bottom
Bottom View





MOUNTING DIMENSIONS REAR RACK COOLER DCD35 PASSIVE

