



Liebert®

NXL™ System Control Cabinet, SCCi

Installation Manual — 1600A-5000A, 60Hz, Three-Phase

The information contained in this document is subject to change without notice and may not be suitable for all applications. While every precaution has been taken to ensure the accuracy and completeness of this document, Vertiv assumes no responsibility and disclaims all liability for damages resulting from use of this information or for any errors or omissions. Refer to other local practices or building codes as applicable for the correct methods, tools, and materials to be used in performing procedures not specifically described in this document.

The products covered by this instruction manual are manufactured and/or sold by Vertiv. This document is the property of Vertiv and contains confidential and proprietary information owned by Vertiv. Any copying, use or disclosure of it without the written permission of Vertiv is strictly prohibited.

Names of companies and products are trademarks or registered trademarks of the respective companies. Any questions regarding usage of trademark names should be directed to the original manufacturer.

Technical Support Site

If you encounter any installation or operational issues with your product, check the pertinent section of this manual to see if the issue can be resolved by following outlined procedures. Visit <https://www.VertivCo.com/en-us/support/> for additional assistance.

TABLE OF CONTENTS

IMPORTANT SAFETY INSTRUCTIONS	1
SAVE THESE INSTRUCTIONS	1
1.0 MECHANICAL INSTALLATION	4
1.1 Introduction.....	4
1.2 Preliminary Checks	4
1.3 Bypass Backfeed Breaker.....	4
1.4 Neutral Connections.....	4
1.5 Static Switch Installation.....	4
2.0 CONTROL CABLE CONNECTIONS AND COMMUNICATION	7
2.1 Dry Contacts.....	8
2.2 Multi-Module Communication	9
2.3 Remote Input Breaker (RIB).....	10
2.4 Inverter Output Breaker	11
2.5 Digital LBS.....	13
2.6 Input Contact Isolator Board.....	14
2.7 Programmable Relay Board.....	16
2.7.1 Configuring the Programmable Relay Board Settings.....	17
3.0 INSTALLATION DRAWINGS	18
4.0 SPECIFICATIONS.....	20

FIGURES

Figure 1 Static switch installation	5
Figure 2 Static switch installation, steps 1 through 3	5
Figure 3 Static switch installation, steps 4 through 10.....	6
Figure 4 External Interface Board connections layout.....	7
Figure 5 Inter-Module Communication Board wiring diagram—Multi-modules	10
Figure 6 Remote Input Breaker diagram.....	10
Figure 7 Remote Output Breaker diagram.....	12
Figure 8 Inter-Module Communication Board wiring diagram—Digital LBS.....	13
Figure 9 Input contact isolator dialog box.....	14
Figure 10 Optional Input Contact Isolator Board	15
Figure 11 Control wiring, Programmable Relay Board	16
Figure 12 Programmable relay board dialog box.....	17
Figure 13 Control wiring layout for Liebert NXL SCC.....	18
Figure 14 Main Components, Liebert NXL SCC Ebox.....	19

TABLES

Table 1	SCC input dry contacts.....	8
Table 2	SCC control contacts with maintenance bypass.....	8
Table 3	SCC control contacts to remote alarm status panel.....	9
Table 4	Parallel from SCC module Inter-Module Communication Board to other Inter-Module Communication Board in system.....	9
Table 5	RIB UV coil, aux. contacts from SCC RIB CB interface board to remote CB1.....	11
Table 6	Remote IOB contacts from remote breaker to SCC IOB CB interface board.....	12
Table 7	Wire size, length for digital LBS connection of SCC Inter-Module Communication Boards13	
Table 8	Input Contact Isolator Board pre-assigned values.....	15
Table 9	Input Contact Isolator Board control wiring connections.....	15
Table 10	Programmable Relay Board pinout.....	16
Table 11	Liebert NXL SCCi Bypass Static Switch and Ebox specifications.....	20
Table 12	UPS current ratings—rectifier input.....	21
Table 13	UPS current ratings—output.....	21

IMPORTANT SAFETY INSTRUCTIONS

SAVE THESE INSTRUCTIONS

This manual contains important instructions that should be followed during installation of your Liebert NXL™ SCCi Bypass Static Switch and Ebox. Read this manual thoroughly, paying special attention to the sections that apply to your installation, before working with the unit. Retain this manual for use by installing personnel.

WARNING

Risk of electrical shock. Can cause personal injury or death.

Only properly trained and qualified personnel wearing appropriate safety headgear, gloves, shoes and glasses should be involved in installing the modules or preparing the modules for installation. When performing maintenance with any part of the equipment under power, service personnel and test equipment should be standing on rubber mats.

In case of fire involving electrical equipment, use only carbon dioxide fire extinguishers or those approved for use in fighting electrical fires.

Extreme caution is required when performing installation and maintenance.

Special safety precautions are required for procedures involving handling, installation and maintenance of the UPS system. Observe all safety precautions in this manual before handling or installing the module. Observe all precautions in the Operation and Maintenance Manual, SL-25414, before as well as during performance of all maintenance procedures.

AVERTISSEMENT

Risque de décharge électrique pouvant causer des blessures graves, voire mortelles.

Seuls des employés qualifiés et dûment formés portant un casque, des gants, des chaussures et des lunettes de sécurité adéquats doivent se charger d'installer le système ASC ou de le préparer pour l'installation. Les responsables de l'entretien et l'équipement d'essai doivent reposer sur des tapis de caoutchouc lors de toute intervention sur une pièce d'équipement sous tension.

En cas d'incendie associé à du matériel électrique, n'utilisez que des extincteurs à dioxyde de carbone ou homologués pour la lutte contre les incendies d'origine électrique.

Les opérations d'installation et d'entretien requièrent une extrême prudence.


Des précautions de sécurité spéciales sont requises pour les procédures associées à la manutention, à l'installation et à l'entretien du système ASC. Observez toutes les précautions de sécurité décrites dans le présent manuel avant de manipuler ou d'installer le système ASC. Observez également toutes les précautions décrites dans le manuel d'utilisation et d'entretien, SL-25414, avant et pendant toutes les procédures d'entretien.

Observez toutes les précautions de sécurité appropriées lorsque vous travaillez sur à proximité d'une source c.c.



WARNING

Risk of heavy unit falling over. Improper handling can cause equipment damage, injury or death.

Exercise extreme care when handling UPS cabinets to avoid equipment damage or injury to personnel. The Bypass Static Switch module's weight is approximately 1000lb (455kg). Locate center of gravity symbols  and determine unit weight before handling each cabinet. Test lift and balance the cabinets before transporting. Maintain minimum tilt from vertical at all times.

Read all of the following instructions before attempting to move, lift, or remove packaging from unit, or prepare unit for installation.



AVERTISSEMENT

Le centre de gravité élevé de l'appareil présente un risque de renversement. Une mauvaise manutention peut entraîner des dommages matériels, des blessures et même la mort.

Faites preuve d'une extrême prudence lors de la manutention des armoires ASC afin d'éviter de les endommager ou de blesser le personnel. Le module ASC pèse jusqu'à 3 455 kg (1 000 lb).

Identifiez les symboles de centre de gravité  et déterminez le poids de l'appareil avant de

manipuler chaque armoire. Testez le levage et l'équilibre des armoires avant de transporter l'appareil. Maintenez en tout temps l'inclinaison verticale minimale.

Les fentes situées à la base des armoires du module sont conçues pour utiliser le chariot élévateur. Les fentes situées à la base peuvent soutenir le système seulement si les fourches se trouvent complètement sous le système.

Lisez toutes les instructions ci-dessous avant de tenter de déplacer, lever, déballer ou préparer le système en vue de son installation.



WARNING

Risk of electrical shock and fire. Can cause equipment damage, personal injury or death.

Under typical operation and with all doors closed, only normal safety precautions are necessary. The area around the system should be kept free of puddles of water, excess moisture and debris.

Only test equipment designed for troubleshooting should be used. This is particularly true for oscilloscopes. Always check with an AC voltmeter to ensure safety before making contact or using tools. Even when the power is turned Off, dangerously high potential electric charges may exist at the capacitor banks.

All wiring must be installed by a properly trained and qualified electrician. All power and control wiring must comply with all applicable national, state and local codes.

One person should never work alone, even if all power is disconnected from the equipment. A second person should be standing by to assist and to summon help in case of an accident.

AVERTISSEMENT

Risque de décharge électrique et d'incendie, pouvant entraîner des dommages matériels, des blessures et même la mort.

Les précautions de sécurité habituelles suffisent lorsque le système ASC est en mode de fonctionnement normal et que toutes les portes sont fermées. La zone entourant le système ASC doit être exempte de flaques d'eau, d'humidité excessive et de débris. Seuls des équipements d'essai conçus pour le dépannage doivent être utilisés. Cette mise en garde couvre notamment les oscilloscopes. Utilisez toujours un voltmètre c.a. et c.c. pour vérifier les tensions avant d'établir un contact ou d'utiliser des appareils. Des tensions dangereusement élevées peuvent demeurer dans les batteries de condensateurs et au niveau des raccords c.c., même une fois l'alimentation coupée.

Tous les raccords doivent être effectués par un électricien dûment formé et qualifié. Tous les câbles d'alimentation et de commande doivent être conformes aux codes nationaux et locaux en vigueur.

Une personne ne devrait jamais travailler seule, même si toute l'alimentation d'entrée est coupée. Une deuxième personne devrait toujours être présente pour porter assistance ou chercher de l'aide en cas d'accident.



NOTE

Materials sold hereunder cannot be used in the patient vicinity (e.g., use where UL, cUL or IEC 60601-1 is required). Medical applications, such as invasive procedures and electrical life support equipment, are subject to additional terms and conditions.

NOTICE

This unit complies with the limits for a Class A digital device, pursuant to Part 15 Subpart J of the FCC rules. These limits provide reasonable protection against harmful interference in a commercial environment. This unit generates, uses and radiates radio frequency energy and, if not installed and used in accordance with this instruction manual, may cause harmful interference to radio communications. Operation of this unit in a residential area may cause harmful interference that the user must correct at his own expense.

1.0 MECHANICAL INSTALLATION

1.1 Introduction

The Liebert NXL's SCCi switchgear cabinet can be used to interconnect multiple Liebert NXL UPS units into a single power system. The system of Liebert NXL modules provides continuous, high-quality AC power to your business-critical equipment, such as telecommunications and data processing equipment.

The Liebert NXL UPS will supply power that is free of the disturbances and variations in voltage and frequency common to utility power, which is subject to brownouts, blackouts, surges and sags.

The Liebert SCCi will permit the user to switch the entire system into maintenance bypass simultaneously for maintenance or repair without interruption in service.

1.2 Preliminary Checks

This chapter is a guide to general procedures and practices that should be observed by the installing personnel. The particular conditions of each site will determine the applicability of such procedures.

Before installing the Liebert NXL SCCi, please carry out the following preliminary checks:

- Examine the Liebert NXL SCCi for transit damage, both internally and externally. Report any damage to the shipper immediately.
- Verify that the correct equipment is being installed. The Liebert NXL SCCi cabinet has an identification tag on the interior doors listing the type, size and main calibration parameters of the UPS.
- Verify that the UPS room satisfies the environmental conditions stipulated in the equipment specification, paying particular attention to the ambient temperature and air exchange system.

1.3 Bypass Backfeed Breaker

For systems using the 4000A or 5000A 480V static switch at 150kAIC, the Bypass Backfeed Breaker (BFB) must be Listed UL 489 (Molded Case Circuit Breaker) or UL 1066 (Low Voltage AC Power Circuit Breaker) that is required to be used in UL-listed switchgear or switchboards. The circuit breaker must have a short-time rating not exceeding 480V at 150,000 amperes, for five cycles.

1.4 Neutral Connections

All UPS output neutrals in a Liebert NXL system must be tied together. This keeps any unbalanced currents or circulating currents off the ground path. If the system is a 3-wire system, Vertiv recommends putting the neutral-ground bond at this tie point.

1.5 Static Switch Installation



WARNING

Risk of heavy object falling suddenly. Can cause equipment damage, personal injury or death.



AVERTISSEMENT

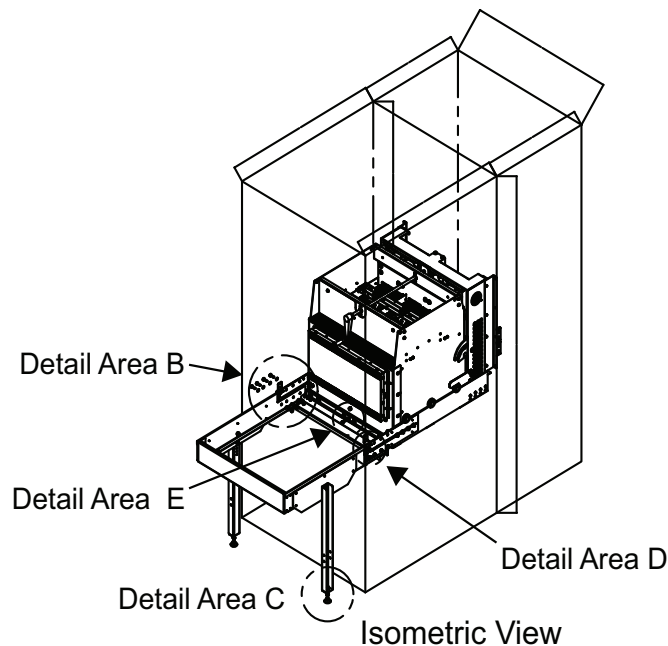
Le centre de gravité élevé de l'appareil présente un risque de renversement. Une mauvaise manutention peut entraîner des dommages matériels, des blessures et même la mort.

The static switch is heavy (975lb. [442kg]) and could fall if it is not properly supported when it is extended. Do not attempt to rack out static switch before all hardware is installed as instructed in the steps below.

When the front support plate is removed the static switch is free to roll onto the static switch support table. The support table must be leveled before the static switch is racked out of the cabinet.

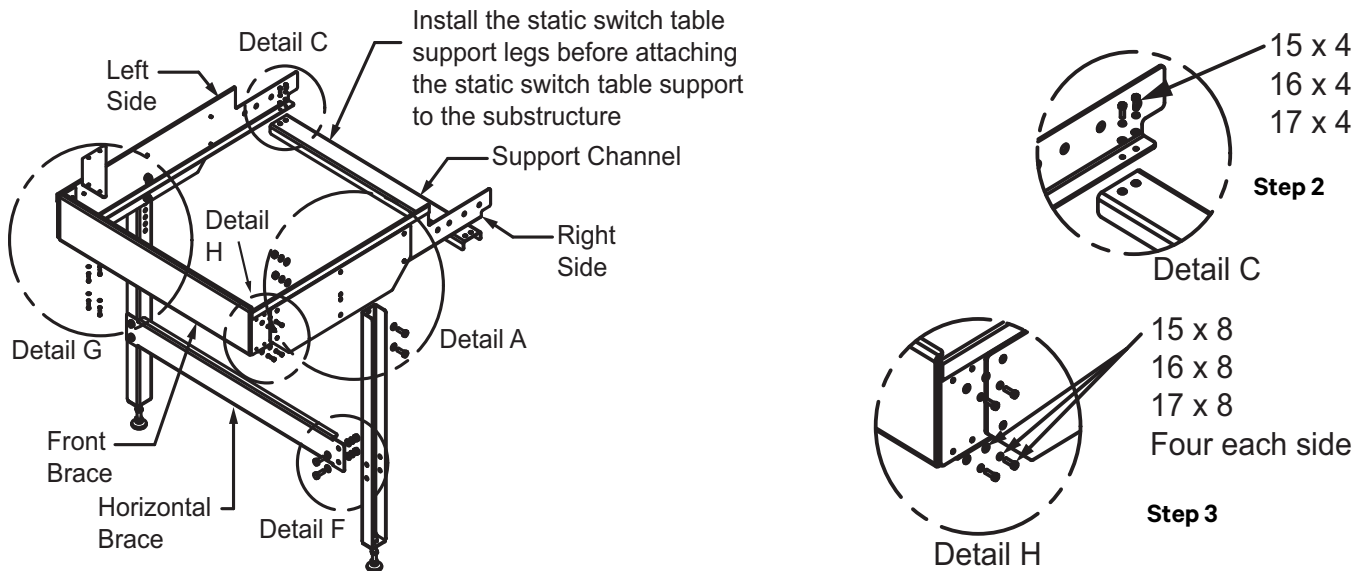
Ensure that no one gets under the static switch for any reason when it is racked out of the cabinet and supported by the static switch table support. Refer to **Figure 1** and to the following steps to install the static switch.

Figure 1 Static switch installation



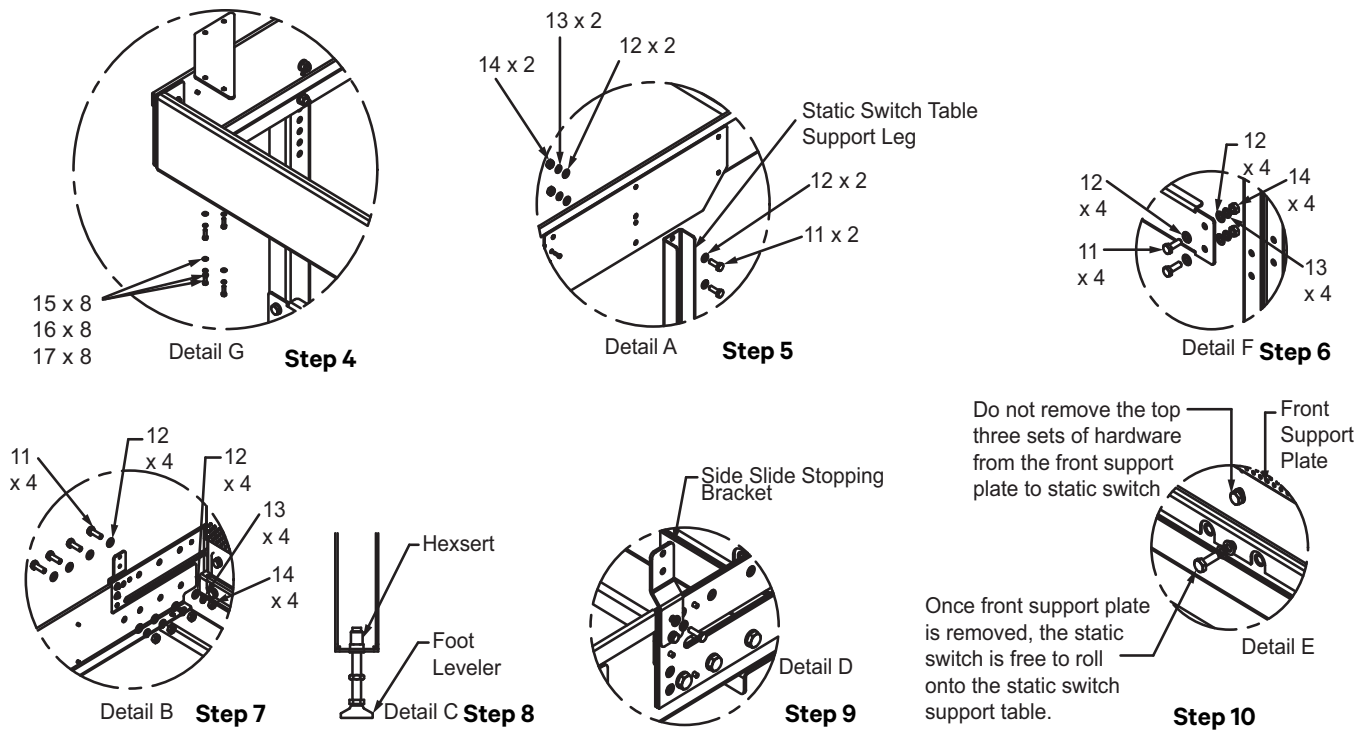
1. Remove the static switch support table kit from under the static switch.
2. Attach the support channel to the left and right sides using the hardware shown in Detail C in **Figure 2**.
3. Attach the front brace to the left and right sides with the hardware shown in Detail H in **Figure 2**.

Figure 2 Static switch installation, steps 1 through 3



4. Attach the support angles to the front brace and sides using the hardware shown in Detail G in **Figure 3**.
5. Before installing static switch table support to the substructure, install the static switch table support legs using the hardware as shown in Detail A in **Figure 3**.
6. Attach horizontal brace using hardware as shown in Detail F in **Figure 3**.
7. Pull out the substructure slides and attach the static switch table support to substructure slides using hardware as shown in Detail B in **Figure 3**.
8. Level the static switch table support to the floor using the foot levelers attached to each static switch table support leg. ensure that a minimum of (2) full threads are showing past the hexsert when leveling the static switch support table in Detail C in **Figure 3**.
9. Remove the hardware from side slide stopping brackets as shown in Detail D in **Figure 3**.
10. Remove only the hardware that attaches the front support plate to the substructure. Leave the support plate and associated hardware attached to the static switch as shown in Detail E in **Figure 3**. The static switch can be moved forward after removal of the side slide stopping brackets and front support plate.
11. Rack out the static switch. After the static switch has been disengaged, move it forward to the front of the static switch table support.

Figure 3 Static switch installation, steps 4 through 10



2.0 CONTROL CABLE CONNECTIONS AND COMMUNICATION

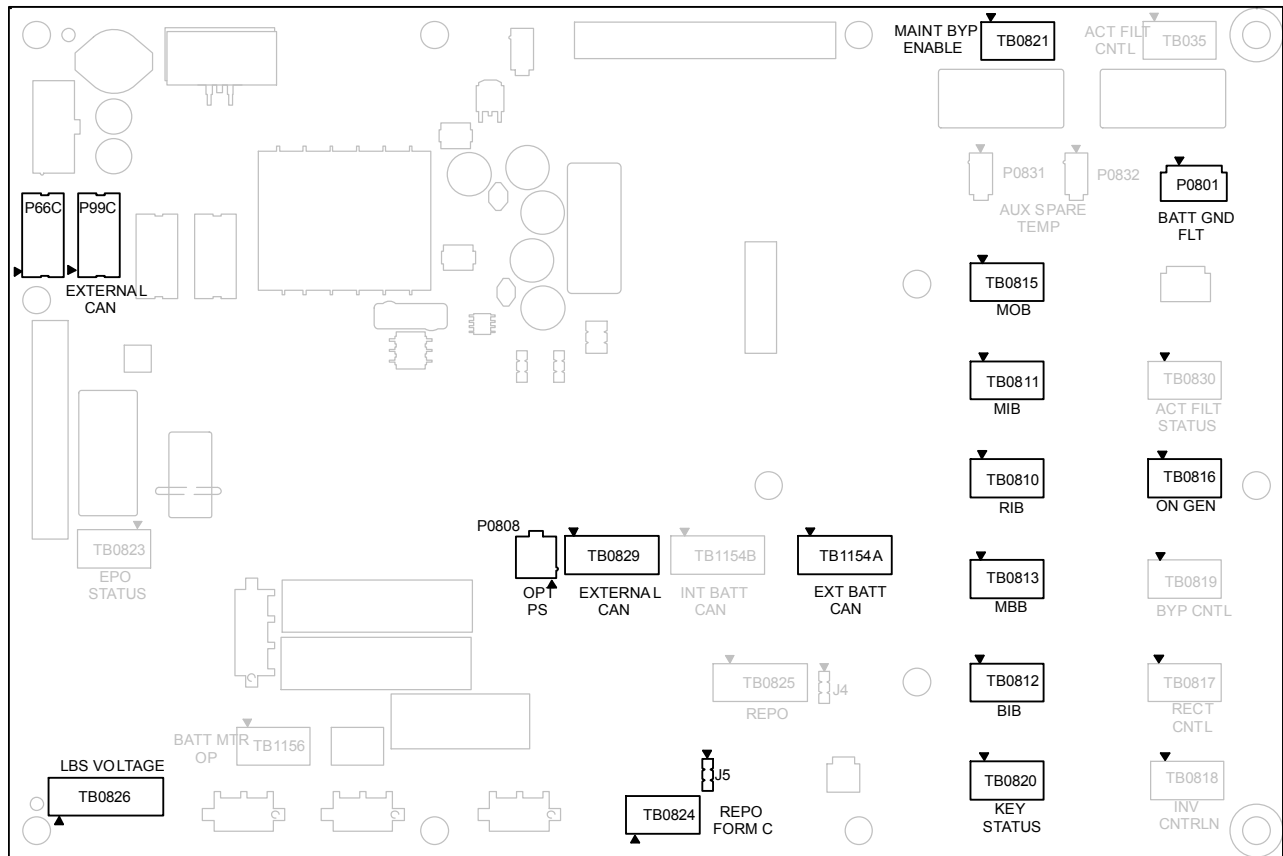
Based on your site's specific needs, the SCC may require auxiliary connections to communicate with a personal computer, provide alarm signaling to external devices or for Remote Emergency Power Off (REPO). The External Interface Board, arranged for this purpose, is next to the option box in the Rectifier section (refer to **3.0 - Installation Drawings**).



NOTE

Unless otherwise noted, use copper or aluminum conductors suitable for at least 75°C.

Figure 4 External Interface Board connections layout



2.1 Dry Contacts



NOTE

If connection to more than one module is required, use a separate contact for each module.

Table 1 SCC input dry contacts

Item	Terminal Block	Pin	Connects to (Description of External Item)	Wire Size/ Maximum Length
Remote EPO Input Form C	TB0824	1	REPO Switch, normally open contact	14AWG/ 500ft. (150m)
		2	REPO Switch, common contact	
		3	REPO Switch, normally closed contact, set jumper J5: 1-2 to enable, 2-3 to disable	
On Generator Input Form C	TB0816	1	On Generator switch, closed = On Generator	
		2	On Generator switch, common	
		3	On Generator switch, closed = Not On Generator	

Table 2 SCC control contacts with maintenance bypass

Item	Terminal Block	Pin	Connects to (Description of External Item)	Wire Size/ Maximum Length
Maintenance Isolation Breaker (MIB) Form C	TB0811	1	CB aux. contact, closed = CB is closed	14AWG/500ft. (150m)
		2	CB aux. contact, common	
		3	CB aux. contact, closed = CB is open	
Maintenance Bypass Breaker (MBB) Form C	TB0813	1	CB aux. contact, closed = CB is closed	14AWG/500ft. (150m)
		2	CB aux. contact, common	
		3	CB aux. contact, closed = CB is open	
Maintenance Bypass Enable Form C	TB0821	1	Maintenance Bypass Cabinet, closed = load on inverter	14AWG/500ft. (150m)
		2	Maintenance Bypass Cabinet, common	
		3	Maintenance Bypass Cabinet, closed = load not on inverter	
Remote EPO Input	TB0825	1	REPO Switch, normally open contact	14AWG/500ft. (150m)
		2	REPO Switch, common contact	
Key Status Input Form C ¹	TB0820	1	Key status switch, closed = key removed	14AWG/500ft. (150m)
		2	Key status switch, common	
		3	Key status switch, closed = key inserted	

Table 2 SCC control contacts with maintenance bypass

Item	Terminal Block	Pin	Connects to (Description of External Item)	Wire Size/ Maximum Length
Module Output Breaker (MIB) Form C	TB0815	1	CB aux. contact, closed = CB is closed	14AWG/500ft. (150m)
		2	CB aux. contact, common	
		3	CB aux. contact, closed = CB is open	
Rectifier Input Breaker (RIB) Form C	TB0810	1	CB aux. contact, closed = CB is closed	14AWG/500ft. (150m)
		2	CB aux. contact, common	
		3	CB aux. contact, closed = CB is open	
Bypass Input Breaker (BIB) Form C	TB0812	1	CB aux. contact, closed = CB is closed	14AWG/500ft. (150m)
		2	CB aux. contact, common	
		3	CB or Switch aux. contact, closed = CB or switch is open	

1. Key Status Input can be either Form-C, N.O. or N.C. contact.

Table 3 SCC control contacts to remote alarm status panel

Item	Terminal Block	Pin	Connects to (Description of External Item)	Wire Size/ Maximum Length
24VDC	TB0829	1	TB-1	18AWG/1000ft. (300m)
24V Rtn		2	TB-2	
CAN-H		3	TB-4	
CAN-L		4	TB-5	

2.2 Multi-Module Communication

Paralleling cables that connect the module to the system are connected to terminals P3101 and P3103 on the Inter-Module Communication (IMC) board (refer to **3.0 - Installation Drawings**).

Table 4 Parallel from SCC module Inter-Module Communication Board to other Inter-Module Communication Board in system

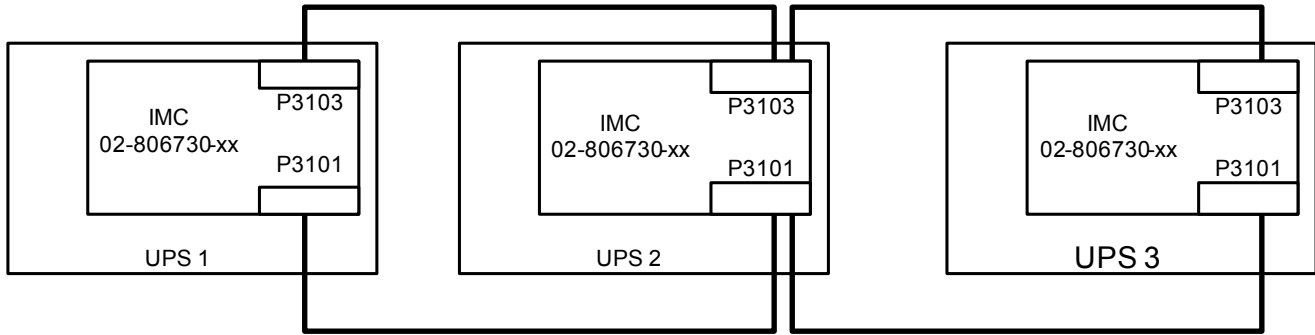
Terminal Designation		Signal Name	Wire Size/ Maximum Length
From	To		
Primary Connections			

Table 4 Parallel from SCC module Inter-Module Communication Board to other Inter-Module Communication Board in system

Terminal Designation		Signal Name	Wire Size/ Maximum Length
From	To		
P3101-1	P3101-1	Share CAN +24V	#24AWG/ 1000ft. (300m)
P3101-2	P3101-2	Share CAN common	
P3101-3	P3101-3	System CAN +24V	
P3101-4	P3101-4	System CAN common	
P3101-5	P3101-5	SER synch CAN+24V	
P3101-6	P3101-6	SER synch CAN common	
P3101-7	P3101-7	Ground	
P3101-14	P3101-14	Ground	
P3101-8	P3101-8	PWM synch CAN +24V	
P3101-9	P3101-9	PWM synch CAN common	
P3101-10	P3101-10	MMS synch CAN +24V	
P3101-11	P3101-11	MMS synch CAN common	
Redundant Connections			
P3103-1	P3103-1	Redundant share CAN +24V	#24AWG/ 1000ft. (300m)
P3103-2	P3103-2	Redundant share CAN common	
P3103-3	P3103-3	Redundant system CAN +24V	
P3103-4	P3103-4	Redundant system CAN common	
P3103-5	P3103-5	Redundant SER synch CAN +24V	
P3103-6	P3103-6	Redundant SER synch CAN common	
P3103-7	P3103-7	Ground	
P3103-14	P3103-14	Ground	
P3103-8	P3103-8	Redundant PWM synch CAN +24V	
P3103-9	P3103-9	Redundant PWM synch CAN common	
P3103-10	P3103-10	Redundant MMS synch CAN +24V	
P3103-11	P3103-11	Redundant MMS synch CAN common	

1. Belden 810x or Belden 89901 cables are the only approved cables.
2. Belden 89901 cable can be used for underground installations.
3. If using multiple parallel cables for each run, all cables must be run in the same conduit.
4. Each cable group should be run in a separate grounded conduit to ensure redundancy.
5. The maximum lengths must include all the parallel cables from the first module to the last module. The primary and redundant cable lengths can be counted separately.
6. The ground pins on the Inter-Module Communication Board (Pins 7 and 14) are connected together on the board. If using cable with only one (1) drain wire, then connect the ground (drain wire) to Pin 7.
7. Care must be taken so drain wire does not touch any other component in module.
8. Attach control wires to side of control door where Inter-Module Board (IMC) is attached. Do not run wires across IMC board.

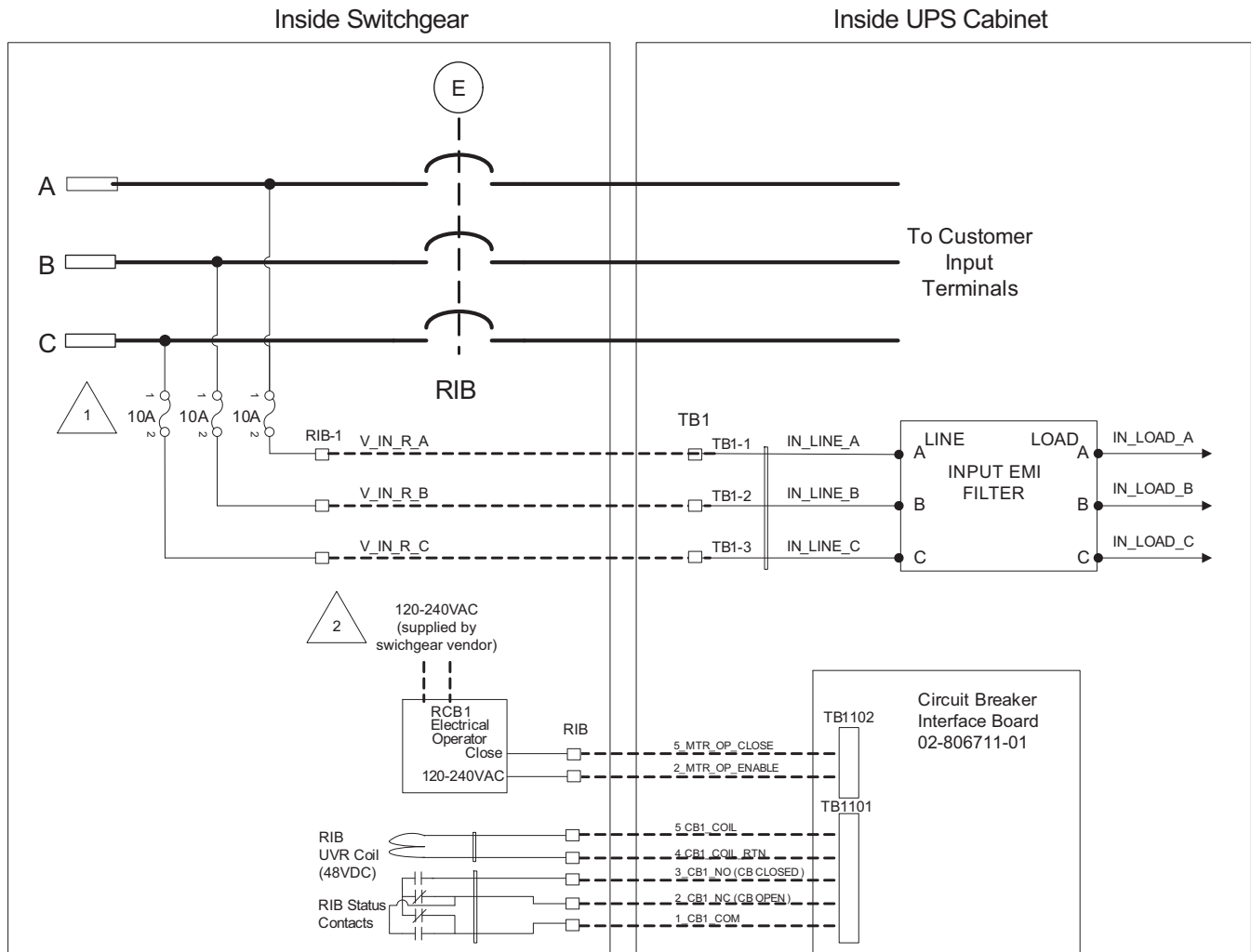
Figure 5 Inter-Module Communication Board wiring diagram—Multi-modules



2.3 Remote Input Breaker (RIB)

For systems that use Remote Input Breakers (RIB), the controls for the Aux contacts, UVR, Motor Operator (optional) and voltage sense will go between the Remote breaker and the SCC Input I/O section. See **Figure 6**.

Figure 6 Remote Input Breaker diagram



Fuses should be 10A class CC or J type time delay fuse



Electrical operator power provided by switchgear vendor and shall be powered from line side of RIB

The RIB must be Listed UL 489 (Molded Case Circuit Breaker) or UL 1066 (Low Voltage AC Power Circuit Breaker) that are required to be used in UL-listed switchgear or switchboards. The circuit breaker must have a short-time rating not exceeding 480 volts at 150K amperes, for 5 cycles.

See **Table 12** for required current ratings.

Table 5 RIB UV coil, aux. contacts from SCC RIB CB interface board to remote CB1

Terminal Designation		Signal Name	Wire Size/ Maximum Length
From	To		
Remote Breaker Contacts	TB1101-1	RIB aux. common	#14AWG/ 500ft. (150m)
	TB1101-2	RIB aux. N.C. (closed = CB is open)	
	TB1101-3	RIB aux. N.O. (closed = CB is closed)	
	TB1101-4	RIB trip coil (-)	
	TB1101-5	RIB trip coil (+)	

Table 5 RIB UV coil, aux. contacts from SCC RIB CB interface board to remote CB1

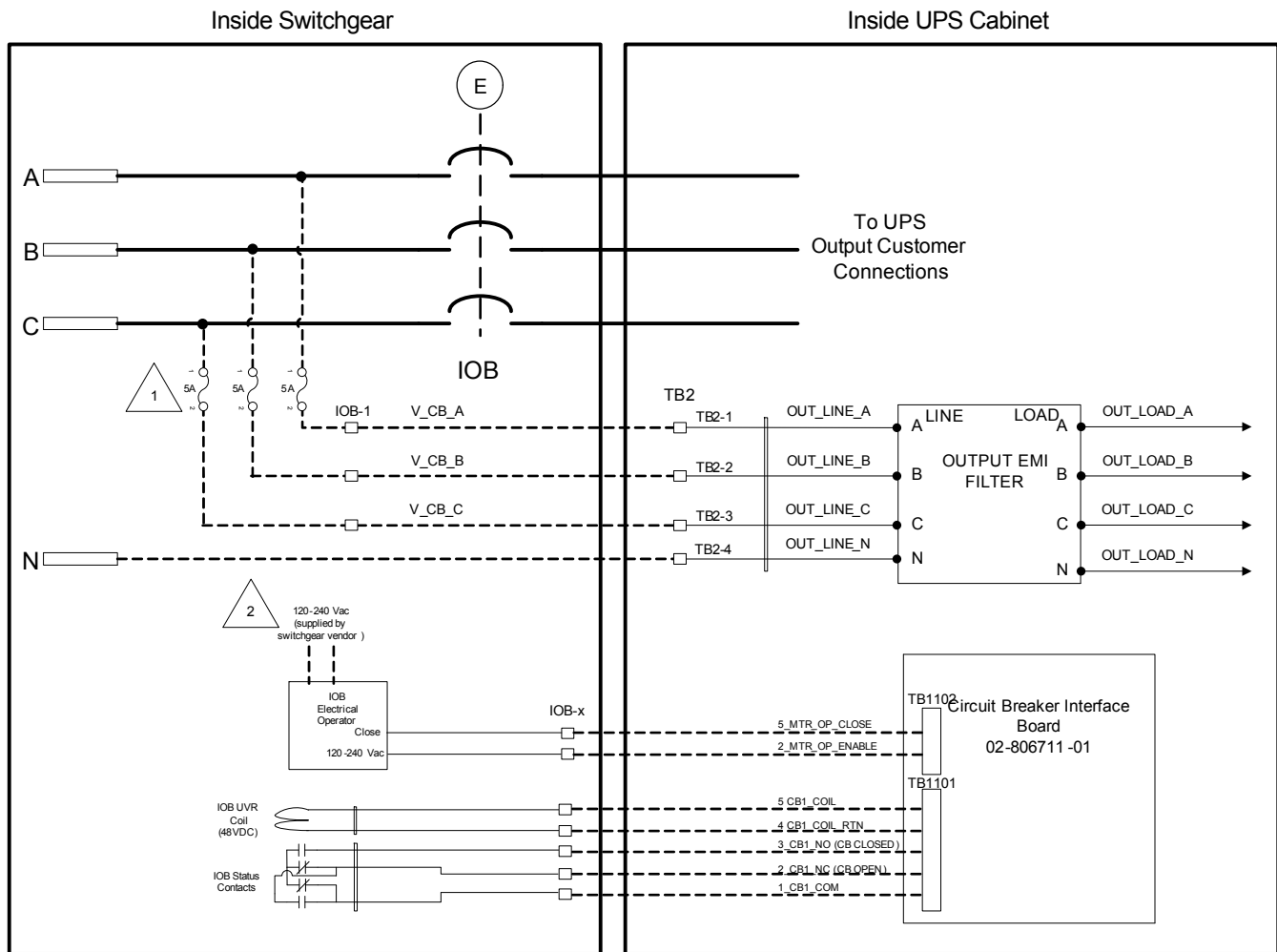
Terminal Designation		Signal Name	Wire Size/ Maximum Length
From	To		
Remote RIB motor operator control contacts from remote breaker to SCC RIB CB interface board (optional)			
Remote Breaker Motor Operator Contacts	TB1102-2	AC line	#14AWG/ 500ft. (150m)
	TB1102-5	Motor operator close	
Remote RIB voltage sense from remote breaker to SCC			
Remote Breaker Voltage Sense	TB1-1	Voltage sense PH A	#14AWG/ 500ft. (150m)
	TB1-2	Voltage sense PH B	
	TB1-3	Voltage sense PH C	

2.4 Inverter Output Breaker

For systems that use Inverter Output Breakers (IOB), the controls for the Aux contacts, UVR, Motor Operator (optional) and voltage sense will go between the Remote breaker and the SCC Output I/O section. See **Figure 7**.

IOB must be Listed UL 489 (Molded Case Circuit Breaker) or UL 1066 (Low Voltage AC Power Circuit Breaker) that are required to be used in UL-listed switchgear or switchboards. The circuit breaker must have a short-time rating not exceeding 480 volts at 150K amperes, for 5 cycles.

Figure 7 Remote Output Breaker diagram



1 Fuses should be 5A class CC or J type time delay fuse

2 Electrical operator power provided by switchgear vendor and shall be powered from UPS side of IOB

See **Table 13** for required current ratings.

Table 6 Remote IOB contacts from remote breaker to SCC IOB CB interface board

Terminal Designation		Signal Name	Wire Size/ Maximum Length
From	To		
Remote Breaker Contacts	TB1101-1	IOB aux. common	#14AWG/ 500ft. (300m)
	TB1101-2	IOB aux. N.C. (closed = CB is open)	
	TB1101-3	IOB aux. N.O. (closed = CB is closed)	
	TB1101-4	IOB trip coil (-)	
	TB1101-5	IOB trip coil (+)	
Remote IOB contacts from remote breaker to SCC IOB CB interface board			

Table 6 Remote IOB contacts from remote breaker to SCC IOB CB interface board

Terminal Designation		Signal Name	Wire Size/ Maximum Length
From	To		
Remote Breaker Motor Operator Contacts	TB1102 -2	AC line	#14AWG/ 500ft. (300m)
	TB1102 -5	Motor operator close	
Remote IOB contacts from remote breaker to SCC IOB CB interface board			
Remote Breaker Voltage Sense	TB1-1	Voltage sense PH A	#14AWG/ 500ft. (300m)
	TB1-2	Voltage sense PH B	
	TB1-3	Voltage sense PH C	

2.5 Digital LBS

The Load Bus Sync interface enables independent SCC units to remain in sync when operating on battery or when supplied by unsynchronized input sources.

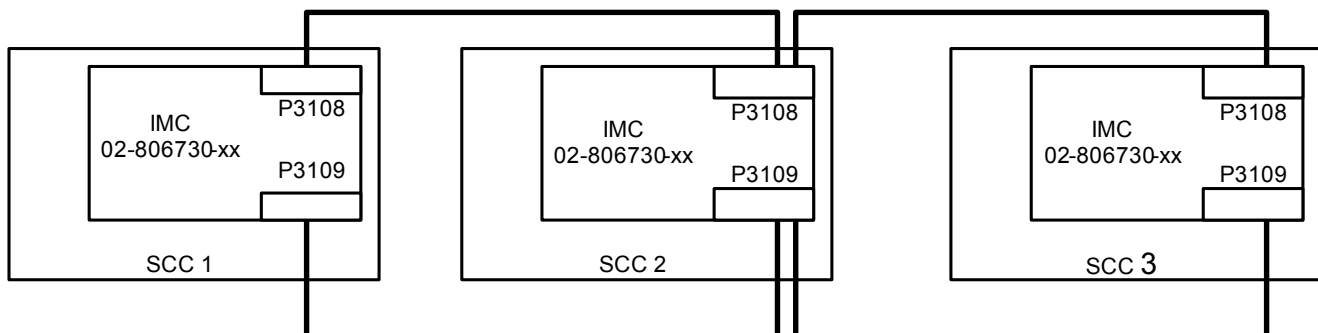
Digital LBS cables that connect the module to the system are connected to terminals P3108 and P3109 on the Inter-Module Communication (IMC) board. See **Figure 8**.

Table 7 Wire size, length for digital LBS connection of SCC Inter-Module Communication Boards

Terminal Designation		Signal Name	Wire Size/ Maximum Length
From	To		
Digital LBS from SCC Inter-Module Communication Board to other SCC Inter-Module Communication Board			
P3108-1	P3108-1	LBS SYNCH CANH	#24AWG/3000ft (900m)
P3108-2	P3108-2	LBS SYNCH CANL	
P3108-3	P3108-3	GROUND	
Redundant Digital LBS from SCC Inter-Module Communication Board to Other SCC Inter-Module Communication Board			
P3109-1	P3109-1	REDUNDANT LBS SYNCH CANH	#24AWG/3000ft (900m)
P3109-2	P3109-2	REDUNDANT LBS SYNCH CANL	
P3109-3	P3109-3	GROUND	

1. Belden 810x or Belden 89901 cables are the only approved cables
2. Each cable group should be run in a separate, grounded conduit to ensure redundancy.
3. The maximum lengths must include all the LBS cables from the first module to the last module.
4. The primary and redundant cable lengths can be counted separately.
5. Belden 89901 cable can be used for underground installations.
6. Attach the control wire to the side of control door where the Inter-Module Board (IMC) is attached. Do not run the wire across IMC board.

Figure 8 Inter-Module Communication Board wiring diagram—Digital LBS



2.6 Input Contact Isolator Board

The Input Contact Isolator Board (ICI) provides a Liebert NXL module interface for up to eight external user alarm or message inputs to be routed through the Liebert NXL’s alarm network. The eight contacts are normally open dry contacts. When a contact closes, an event is triggered.



NOTE

Up to two ICI's can be installed in a Liebert NXL.

The Input Contact Isolator options are configured through the Input Contact Isolator dialog box, which is accessed from the *Internal Option Settings* under Config dialog box on the HMI touchscreen display. The Input Contact Isolator dialog box contains eight choices to match the eight channel input board. You can label each button to identify the event associated with the contact. When the dialog box is accessed, each button flashes to display the Input Contact Isolator number and the user entered label. This label also appears in the Display Panel when an event related to an Input Isolator Connector is triggered.

The Input Contact Isolator dialog box allows you to:

- Label the input contact assignments for your setup.
- Set the delay for an external event triggering an alarm.
- Review the isolator contact assignments, once the labels are entered.

The delay allows setting the number of seconds that a condition must exist before it will trigger an alarm. To configure the Input Contact Isolator relays:

1. Press *Internal Option Settings* from the Config menu.
2. Press the *Input Contact Isolator* that is to be configured. The Input Contact Isolator dialog box is displayed.

Figure 9 Input contact isolator dialog box

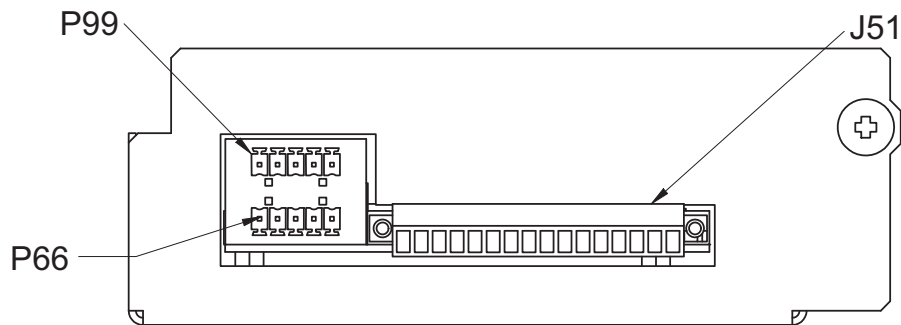
Channel	Label	Delay
Ch #1	Input Contact 11	0.0
Ch #2	Input Contact 12	0.0
Ch #3	Input Contact 13	0.0
Ch #4	Input Contact 14	0.0
Ch #5	Input Contact 15	0.0
Ch #6	Input Contact 16	0.0
Ch #7	Input Contact 17	0.0
Ch #8	Input Contact 18	0.0

- Assignment—Custom, Pre-assigned (default: “Input Contact” XY)
 - Delay, sec—0 to 99.9 (default: 0)
 - Message—Custom: 0-19 characters
3. To assign labels for each channel:
 - a. Press *Pre-assigned* for default labels on Channels 1-6 (See **Table 8**).
 - b. For Custom labels
 1. Press *Custom* to unique labels.
 2. Press on the *Input Contact XX* button. A keyboard is displayed to allow naming alarms.
 3. Enter the name of the alarm set for that input. For example, a fan problem could be indicated by naming the button *FAN*.
 4. Press *OK* on the keyboard to keep your label.
 4. Press *DELAY*.
 - a. A keypad is displayed prompting you for a delay time, in seconds, for a condition to exist before the alarm is triggered.
 - b. Enter the delay value. The range for the values are from 0 (zero) to 99.9 seconds.
 - c. Press *OK* on the keypad to keep your setting. The value entered is displayed in the field adjacent to the corresponding input contact.
 5. Repeat **Steps 3** and **4** for each input contact.
 6. Press *SAVE* after configuring all input contacts.
Be sure to press *SAVE* even if you have accessed this dialog only to change a setting.
 7. This information is not saved if control power is removed.

Table 8 Input Contact Isolator Board pre-assigned values

Channel Number	ICI #1 Pre-Assigned Label	ICI #2 Pre-Assigned Label
1	Reduced Rect ILimit	Remote Transfer Enable
2	Reduced Batt ILimit	Remote Transfer Bypass
3	Stop Battery Charge	Remote Transfer Inverter
4	—	Stop Battery Charge
5	—	Stop Battery Charge
6	—	Stop Battery Charge
7	Disconn Trap Filter	Inhibit IP Standby
8	Suspend Eco Mode	—

Figure 10 Optional Input Contact Isolator Board



1. Customer control wiring connection points are Terminals 1 through 16 (see **Table 9**).
2. Customer provided normally open dry contacts for user alarm messages.
3. All control wiring (by others) must be run separate from power wiring. Control wiring runs should not be combined in the same conduit.
4. Signal voltage: 100mA @ 12VDC.
5. Maximum cable length 500 ft. (152m) with #16AWG and flexible stranded cable.

Table 9 Input Contact Isolator Board control wiring connections

Input Contact	Pin No.
1	1
	2
2	3
	4
3	5
	6
4	7
	8
5	9
	10
6	11
	12
7	13
	14
8	15
	16

2.7 Programmable Relay Board

The Programmable Relay Board (PRB) provides a means to trigger an external device when an event occurs in the Liebert NXL. Each PRB has eight channels. Each channel has Form-C dry contacts rated at 1A @ 30VDC or 125VAC @ 0.45A.

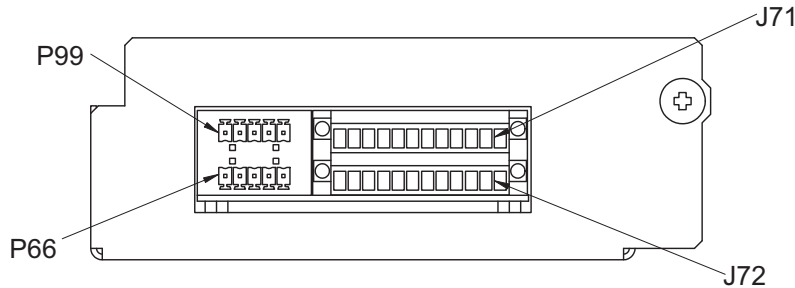
Any alarm/event can be programmed to any channel or channels. Up to four (4) events can be programmed to a relay. If multiple events are grouped to one relay, group the events logically to simplify troubleshooting when an event is triggered. The same alarm/event can be programmed to more than one channel. Up to two Programmable Relay Boards can be installed in the Liebert NXL for a total of 16 channels. Programming is performed through the HMI touchscreen display.



NOTE

Up to two PRB's can be installed in the Liebert NXL.

Figure 11 Control wiring, Programmable Relay Board



1. Customer control wiring connection points are terminals 1 through 15. (Pin 16 not used on J71, J72, and J73.)
2. Programmable Relay Board option includes eight signal channels with two Form-C dry contacts per channel (see **Table 10**).
3. All control wiring (by others) must be run separate from power wiring. Control wiring runs should not be combined in the same conduit.
4. Contact ratings: 1A @ 30VDC or 125VAC @ 0.45A

Table 10 Programmable Relay Board pinout

Terminal Block	Channel	Pin No.	Common	Normally Closed	Normally Open
J71	CH1	1-3	1	2	3
	CH2	4-6	4	5	6
	CH3	7-9	7	8	9
	CH4	10-12	10	11	12
J72	CH5	1-3	1	2	3
	CH6	4-6	4	5	6
	CH7	7-9	7	8	9
	CH8	10-12	10	11	12

2.7.1 Configuring the Programmable Relay Board Settings

1. Press *Internal Option Settings* from the Config menu.
2. Press which *Programmable Relay Board* will be configured. The Programmable Relay Board dialog box is displayed.
3. Press the *Relay* channel
4. Press up to four events. Selected events will show up under *Relay 1 Assignment*.

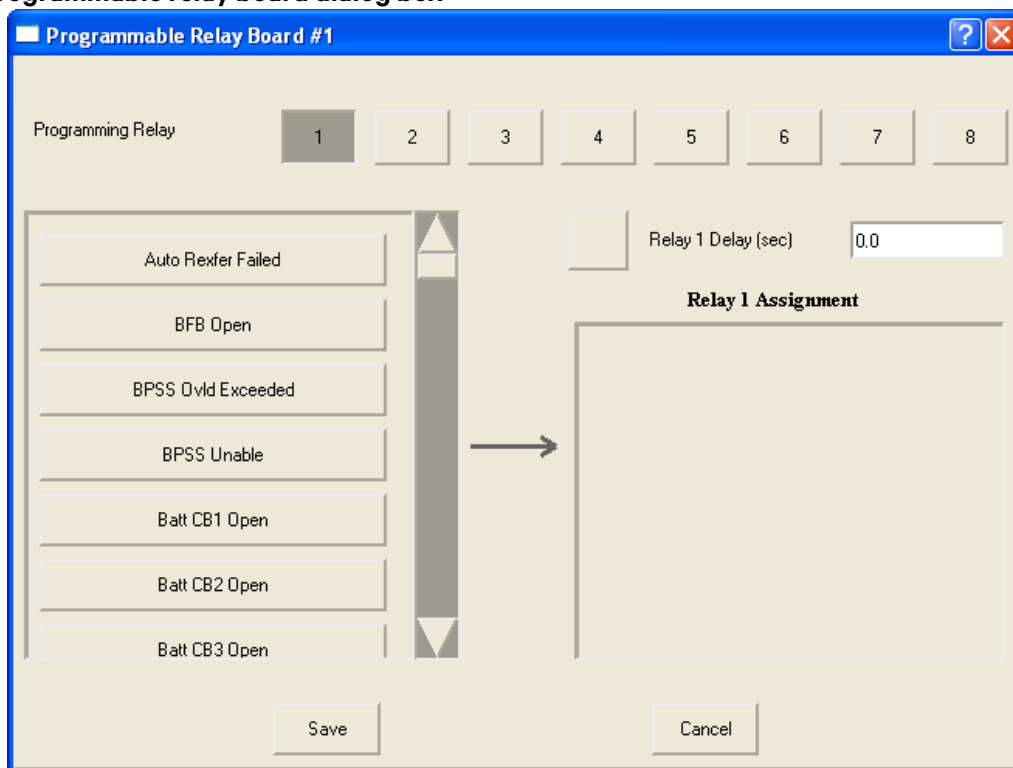


NOTE

To deselect an event, click on the event.

5. Repeat **Steps 3** and **4** for each relay.
6. Press *SAVE* to keep the settings.

Figure 12 Programmable relay board dialog box



- Assignment—0 to 4 event (default: 0)
- Delay, sec—0 to 99.9 (default: 0)

3.0 INSTALLATION DRAWINGS

Figure 13 Control wiring layout for Liebert NXL SCC

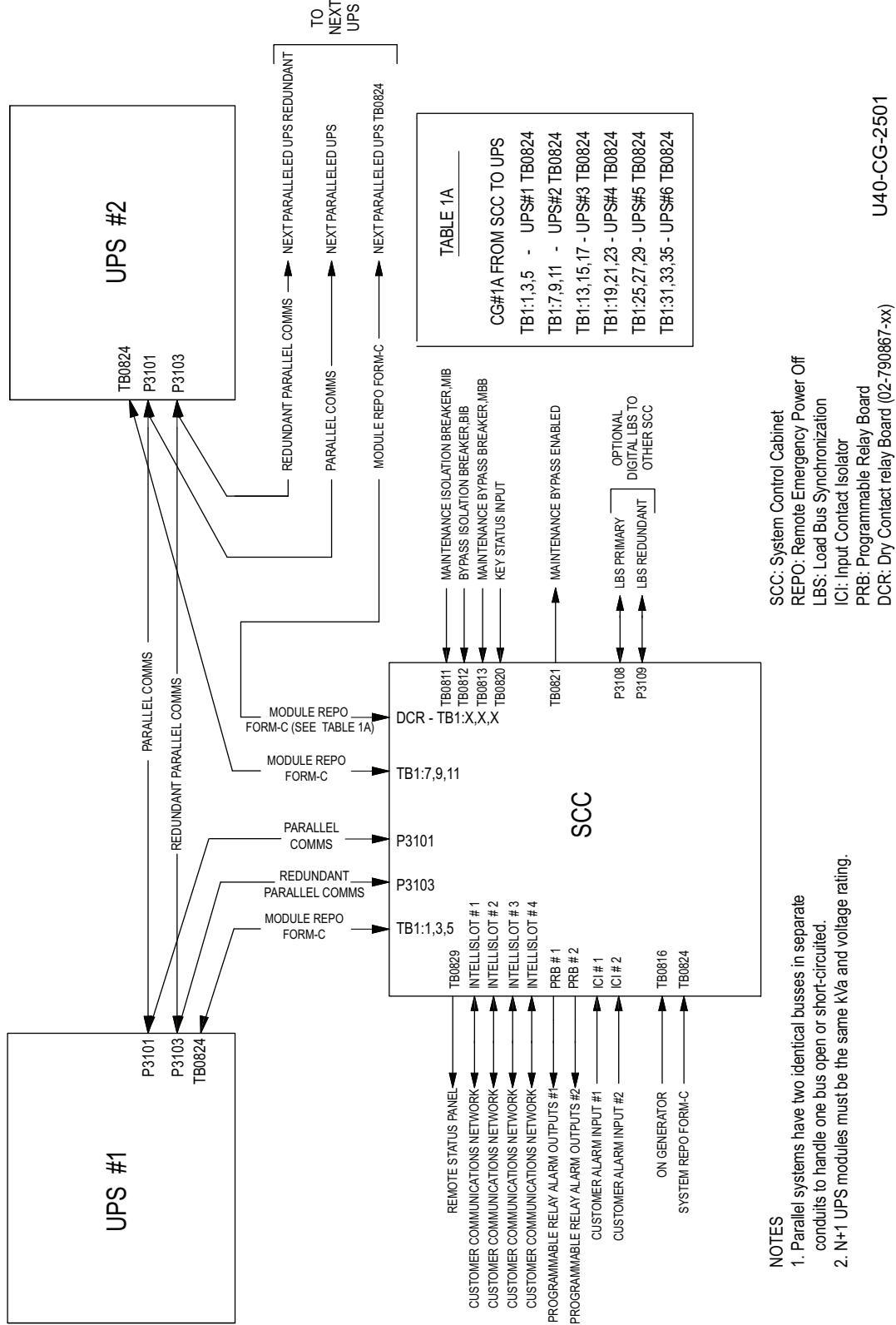
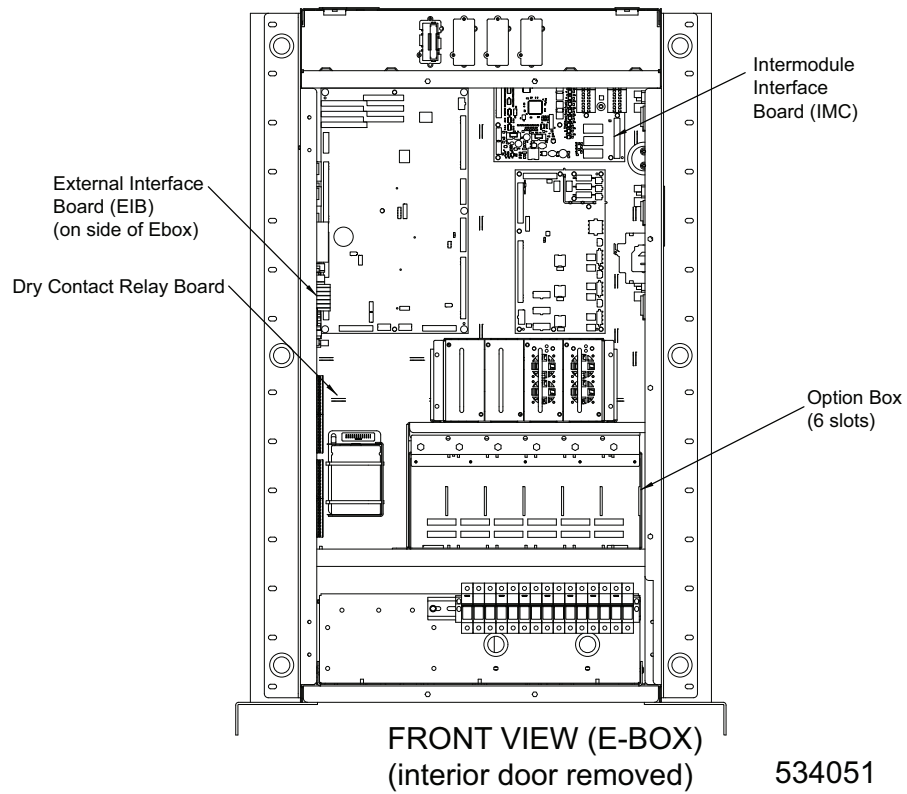
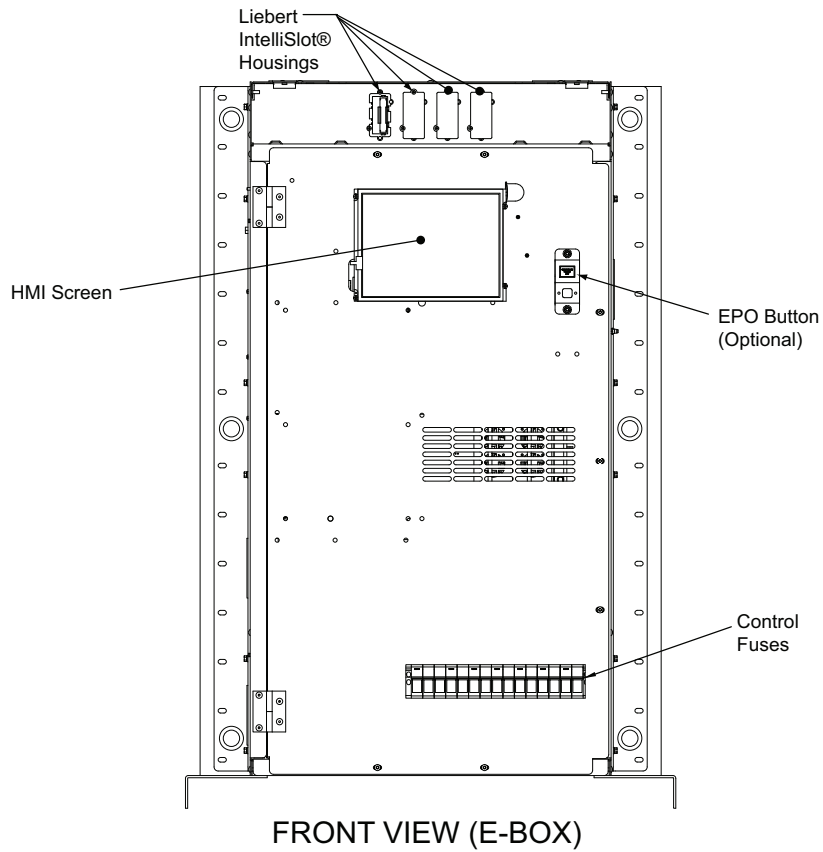


Figure 14 Main Components, Liebert NXL SCC Ebox



534051

4.0 SPECIFICATIONS

Table 11 Liebert NXL SCCi Bypass Static Switch and Ebox specifications

Input Parameters	1600A - 4000A	5000A
Voltage, VAC, 3-Phase, 3-Wire or 4-Wire	480V / 575V / 600V	480V
Input Voltage Range, VAC	+15% to -20%	
Input Frequency, Hz	60	
Permissible Input Frequency Range, Hz	55 to 65	
Physical Parameters and Standards, in. (mm)		
Static Bypass Weight, Unpackaged, lb (kg), approx.	1000 (454)	
Maximum Heat Dissipation, Full Load, BTU/hr (kWH)	189,000 (55.3)	
Cooling Air, CFM (m ³ /s)	15,760 (7.4)	
Standards and Conformities	UL 1778, 4th Ed. CSA 22.2 107.3 FCC Part 15, Class A IEC62040-2, Level 4, Criteria A EN61000-4-3, Level 3, Criteria A EN61000-4-6, Level 4, Criteria A EN61000-2-2, Criteria A EN61000-4-4, Level 4, Criteria A ANSI C62.41, Category A3 & B3 ISTA Procedure 1H WEEE	
Environmental Parameters		
Storage Temperature Range, °F (°C)	-13 to 158 (-25 to 70)	
Operating Temperature Range, °F (°C)	32 to 104 (0 to 40) (UPS)	
Relative Humidity	95% or Less Non-Condensing (Operating and Non-Operating)	
Maximum Altitude Above Mean Sea Level	4920 ft. (1500mm) (per IEC 62040/3) - 1% Maximum kW derate / 328 ft. rise between 4921-9842 ft. (100m rise between 1500-3000m)	

Table 12 UPS current ratings—rectifier input

UPS Rating		Voltage VAC	Nominal Current	Maximum Current
kVA	kW			
500	450	480	643	804
625	625	480	907	952
625	625	575	753	791
625	625	600	722	758
750	675	480	975	1219
750	675	575	815	1018
750	675	600	759	949
800	800	480	1139	1195
1100	1100	480	1534	1611
1100	1100	575	1313	1379
1100	1100	600	1252	1314

Table 13 UPS current ratings—output

UPS Rating		Voltage VAC	Nominal Current
kVA	kW		
500	450	480	601
625	625	480	752
625	625	575	628
625	625	600	601
750	675	480	902
750	675	575	753
750	675	600	722
800	800	480	962
1100	1100	480	1323
1100	1100	575	1104
1100	1100	600	1058

Notes on Tables

1. Nominal input current (considered continuous) is based on full-rated output load. Maximum current includes nominal input current and maximum battery recharge current (considered noncontinuous). Continuous and noncontinuous current are defined in NEC 100.
2. Maximum input current is controlled by the current limit setting, which is adjustable. Values shown are for maximum current limit. If a smaller input feed breaker is used, the input current limit can be adjusted. Contact your Vertiv representative for more information.
3. The Rectifier Input Feed Breaker must be set to handle the Liebert NXL transformer inrush of up to eight times the nominal current.

Notes



